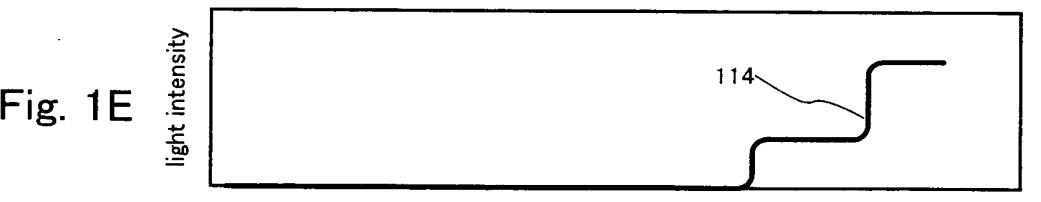
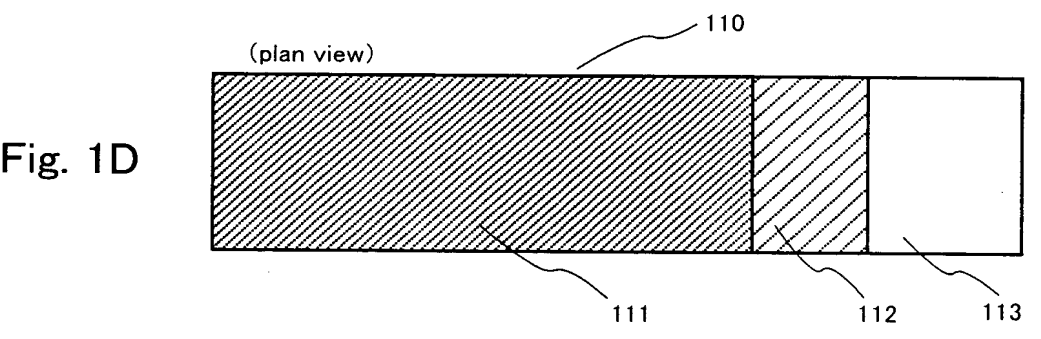
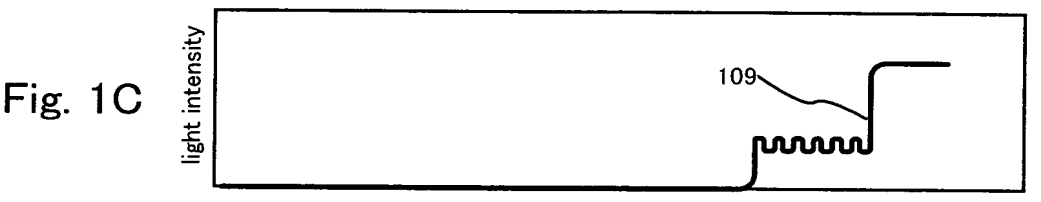
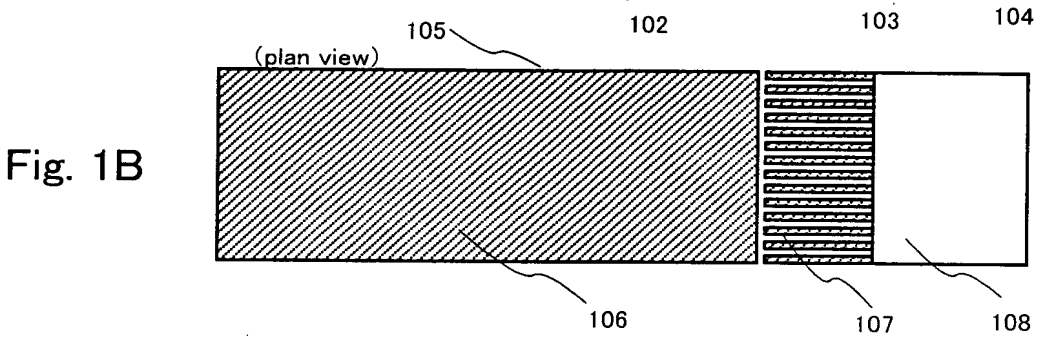
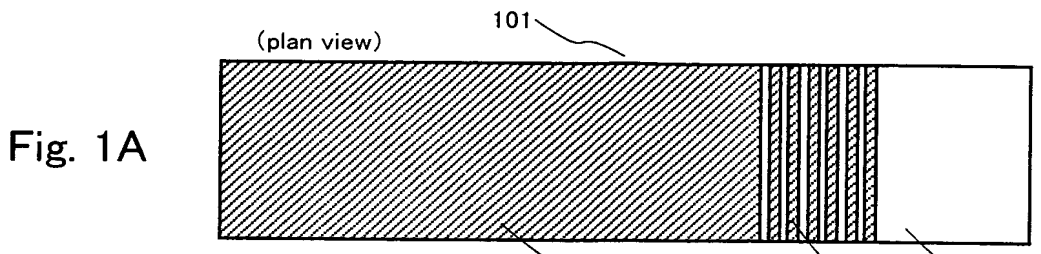


Patented by the U.S. Patent and Trademark Office



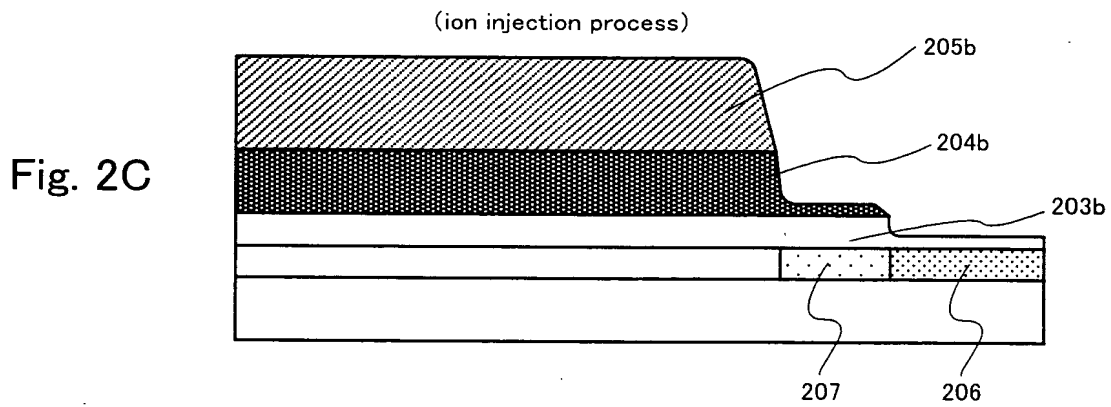
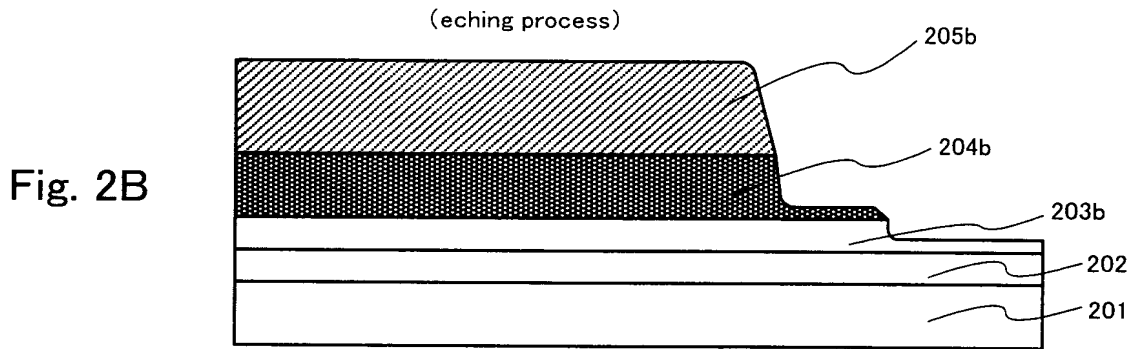
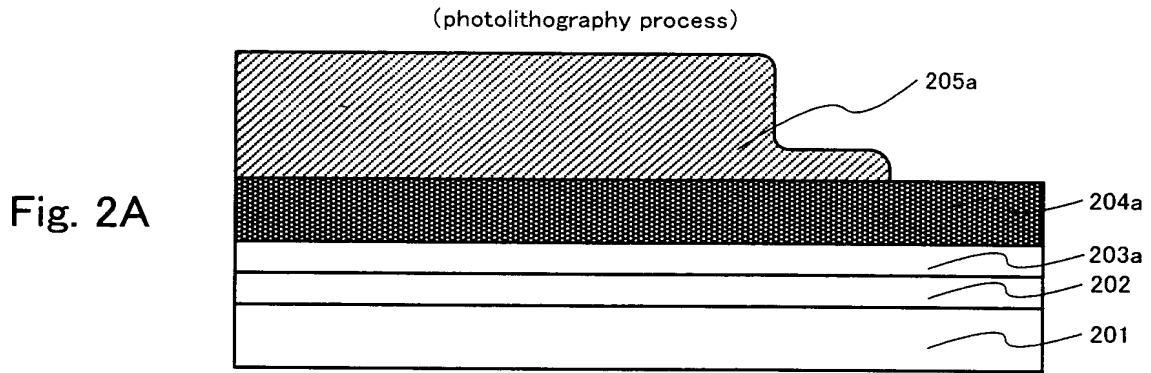


Fig. 3A

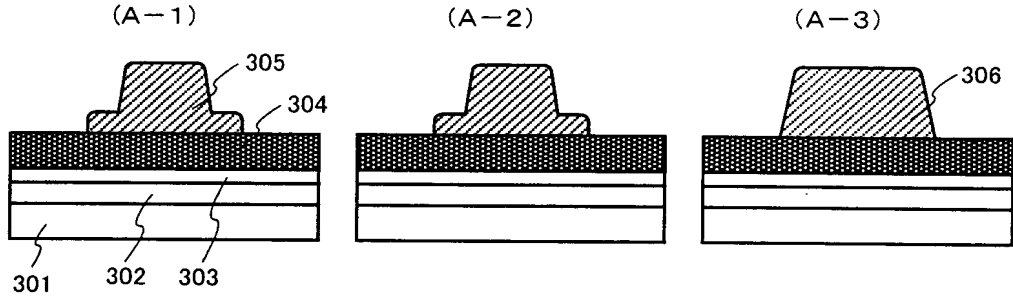


Fig. 3B

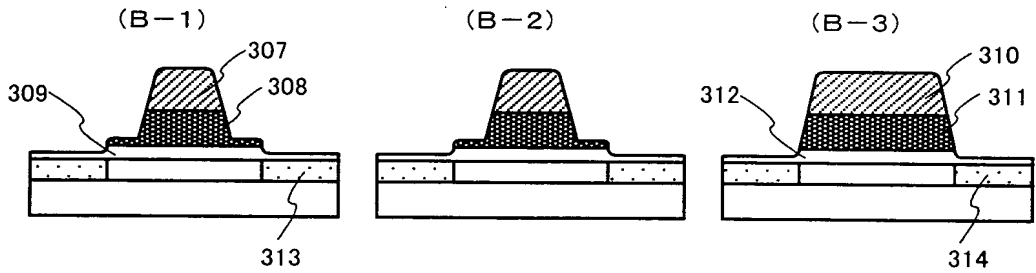


Fig. 3C

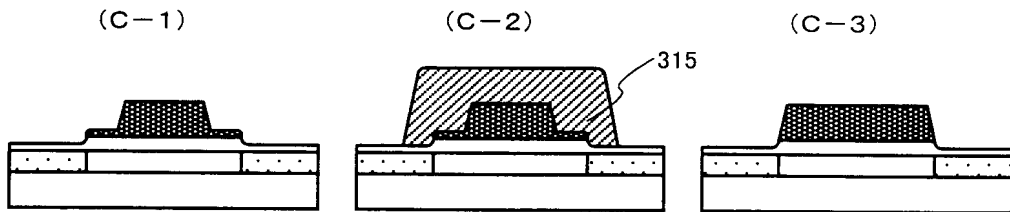
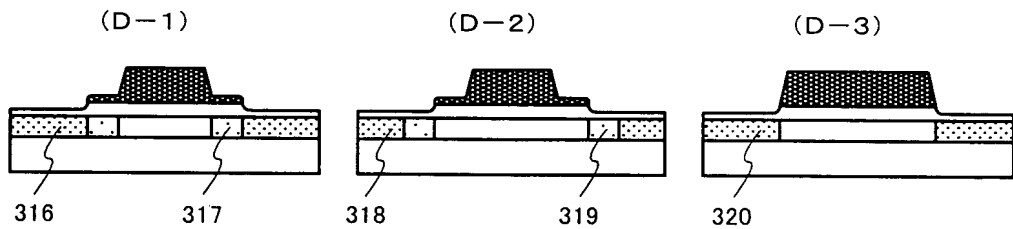


Fig. 3D



401:GOLD structure formation region

402:LDD structure formation region

403:single drain structure formation region

THE GOLDEN ENGINEERING

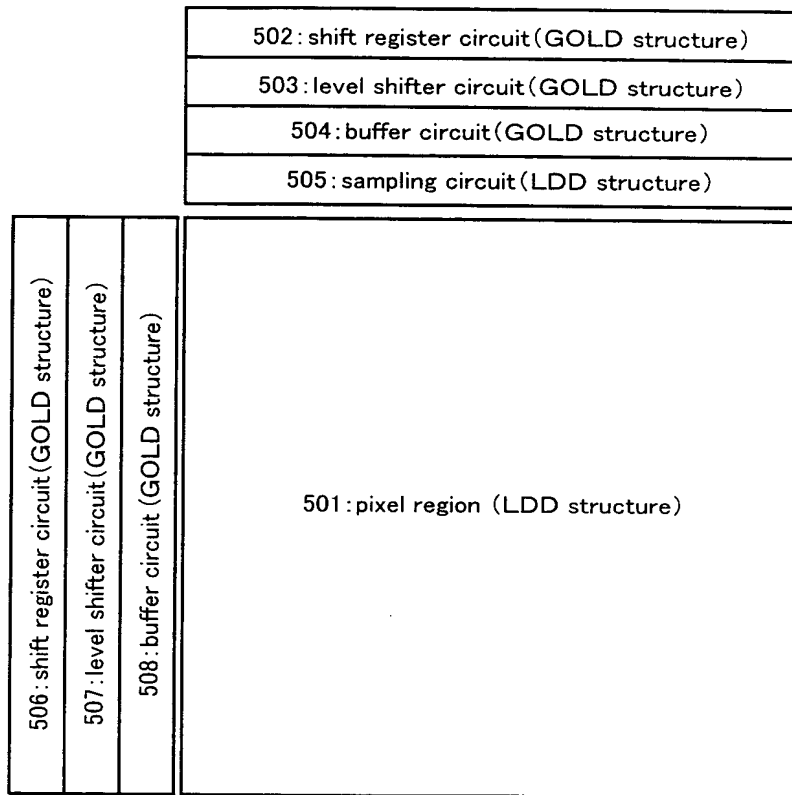


Fig. 4

Fig. 5A

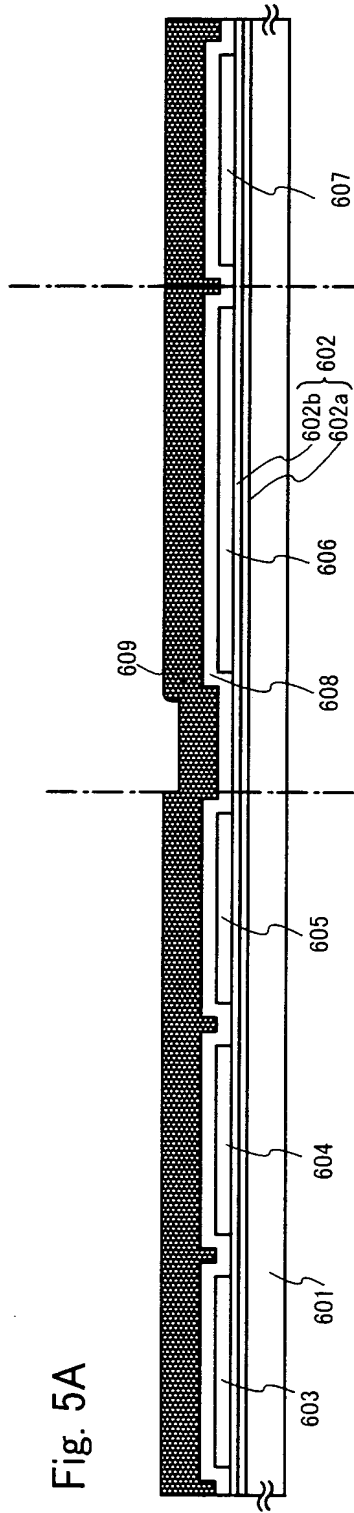


Fig. 5B

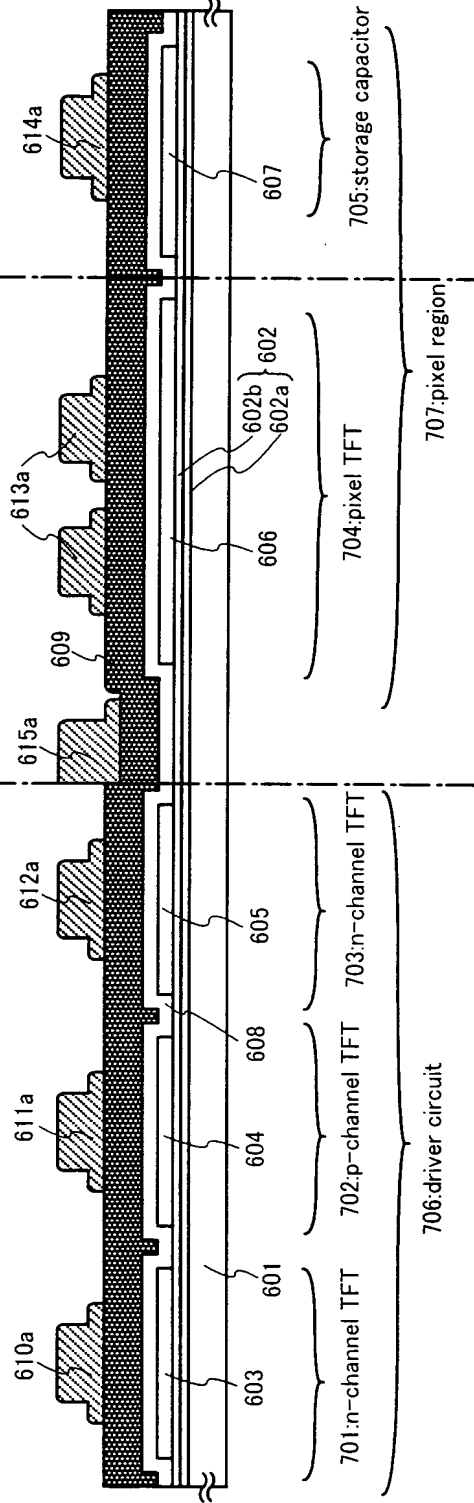


Fig. 6A

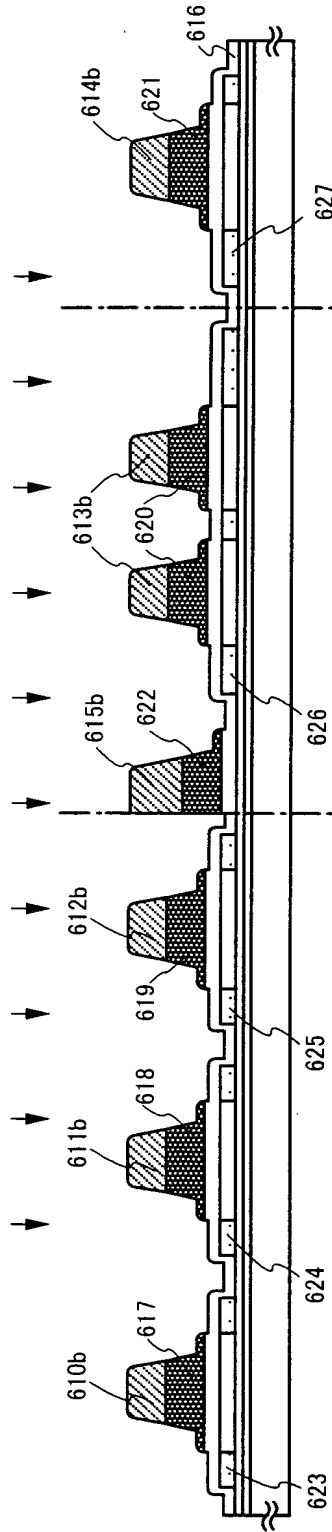


Fig. 6B

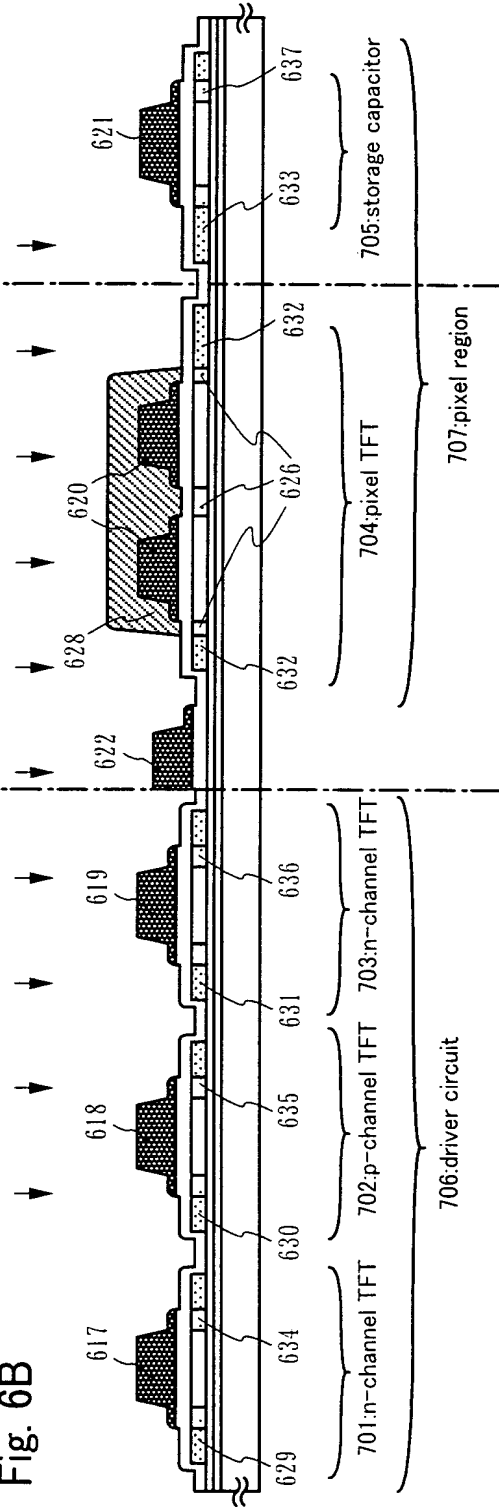


Fig. 7A

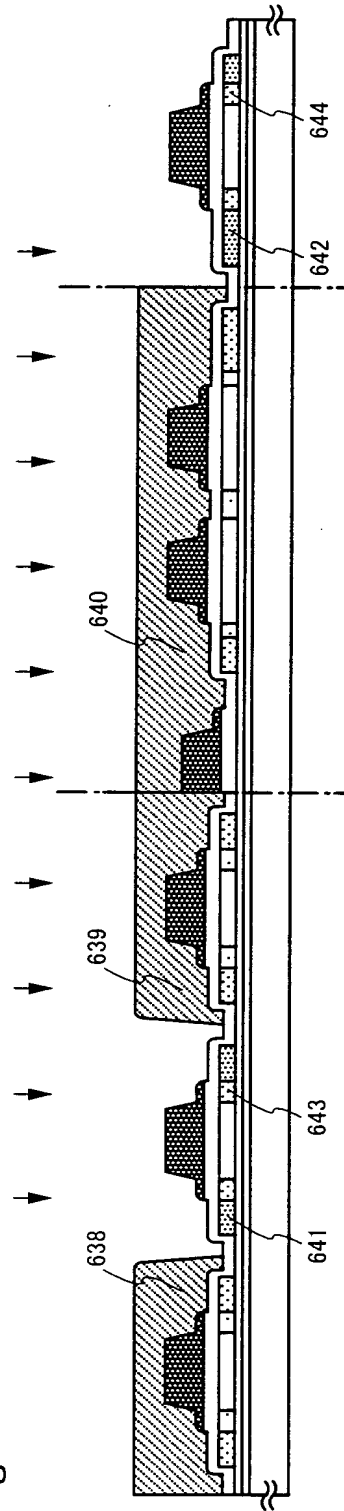


Fig. 7B

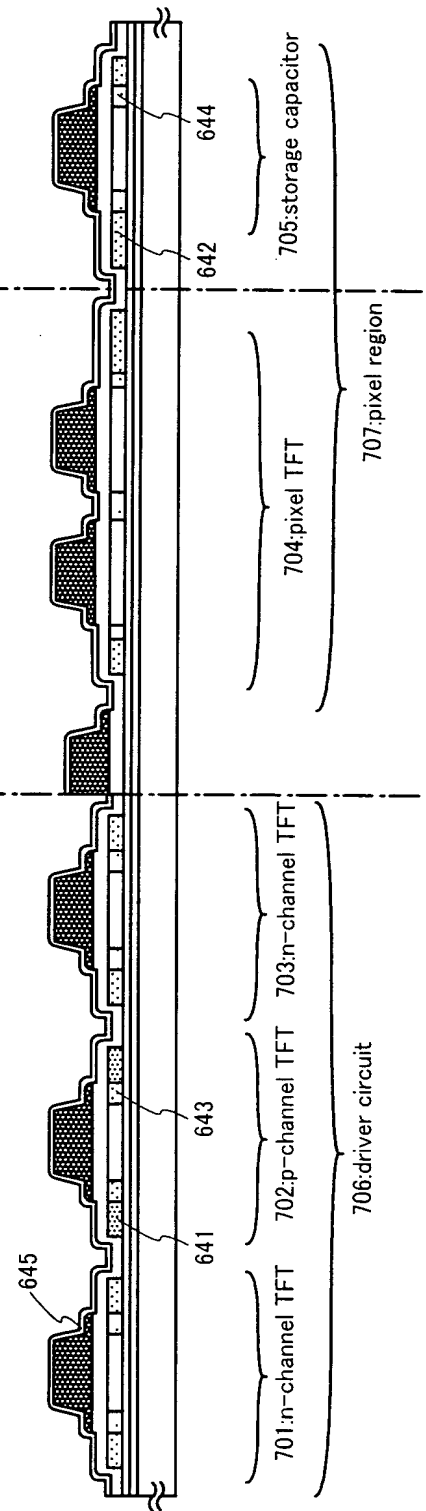
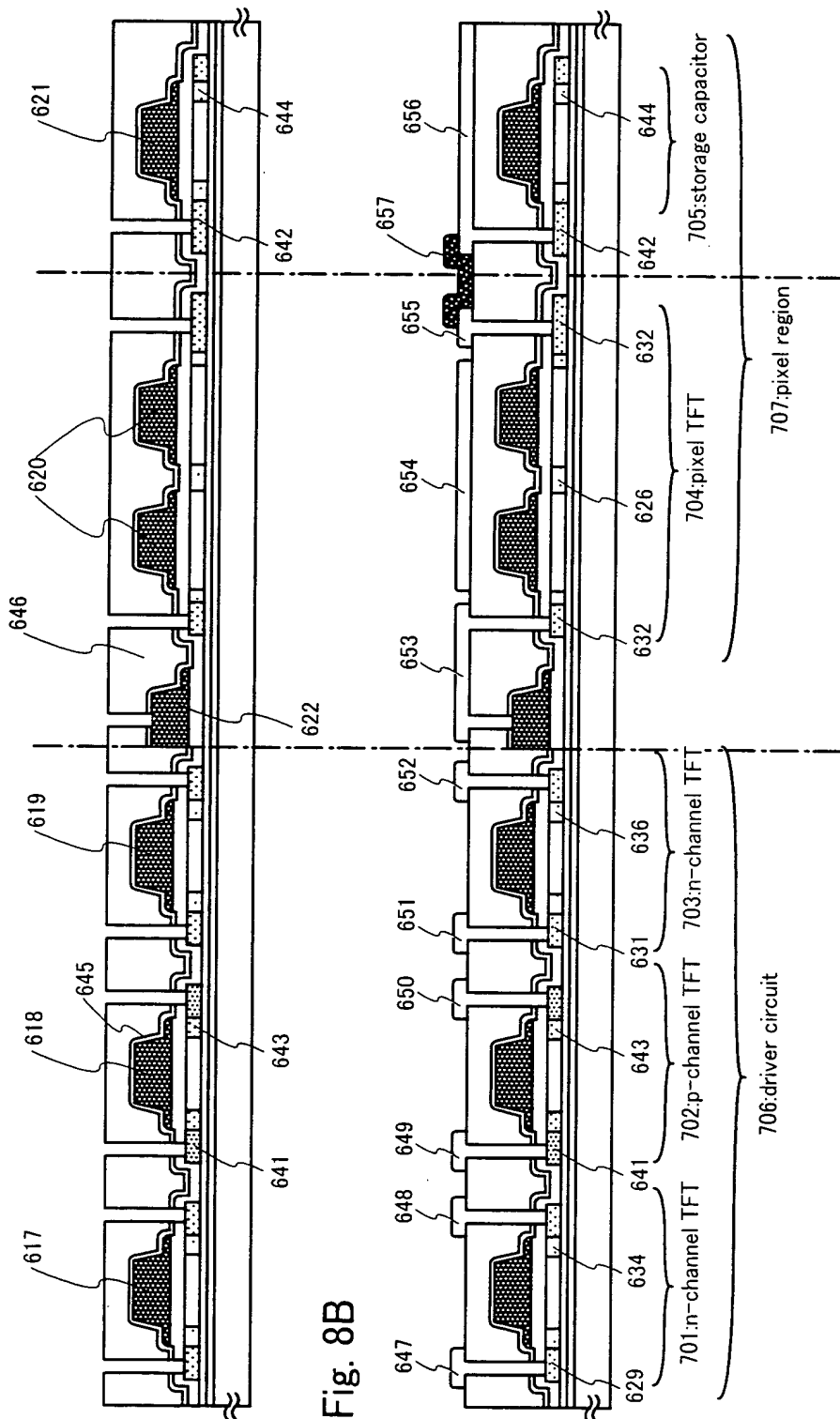


Fig. 8A





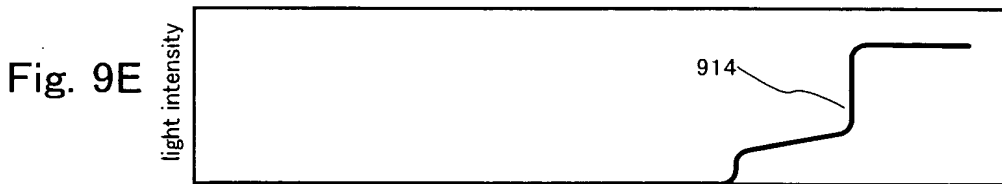
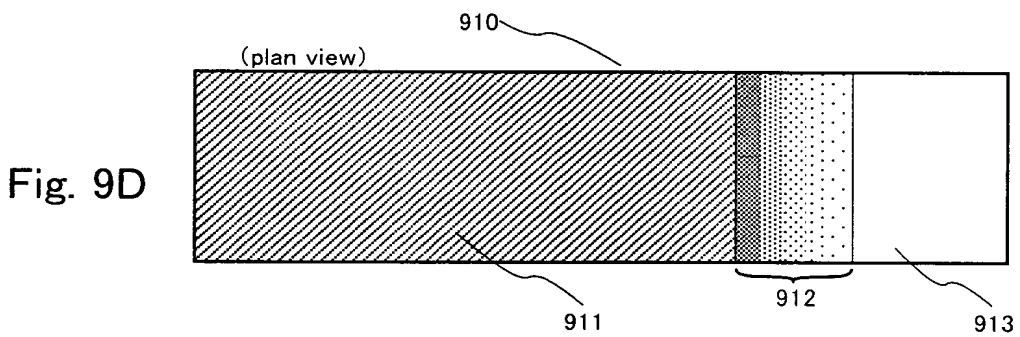
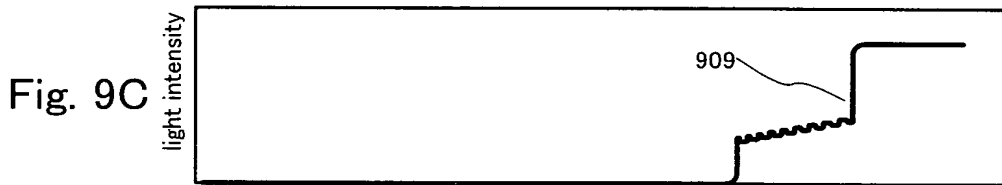
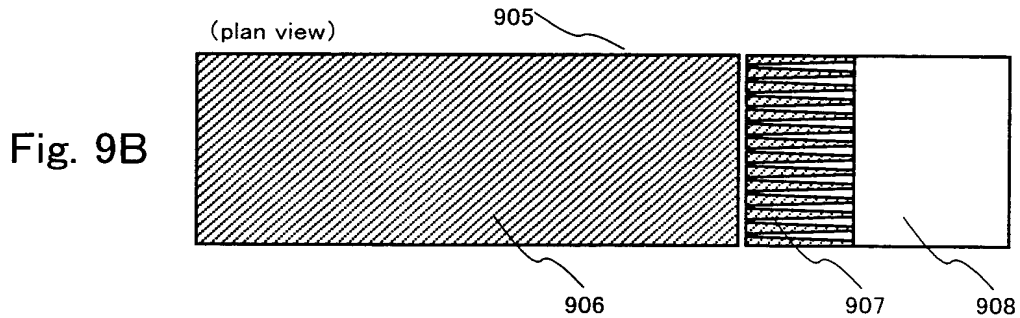
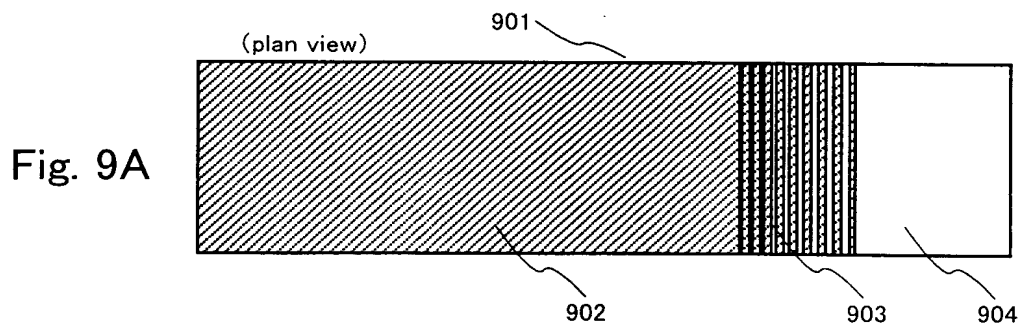


Fig. 10A

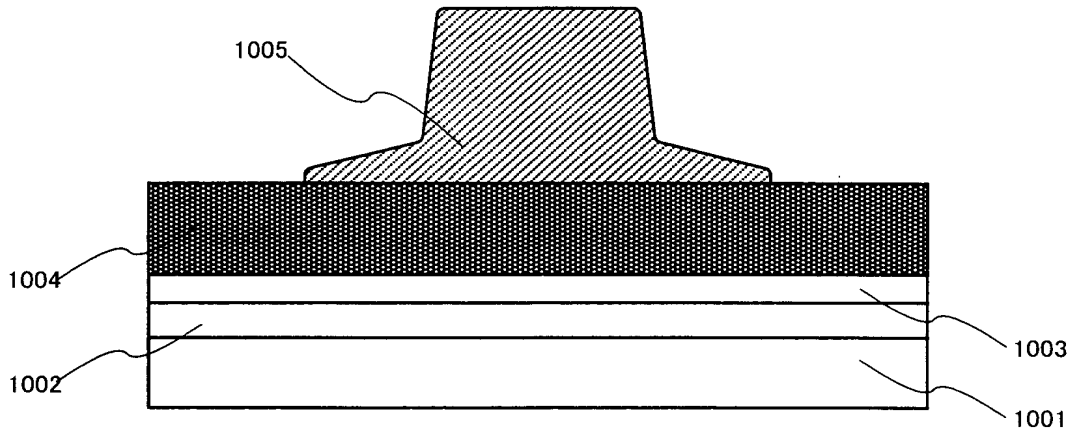


Fig. 10B

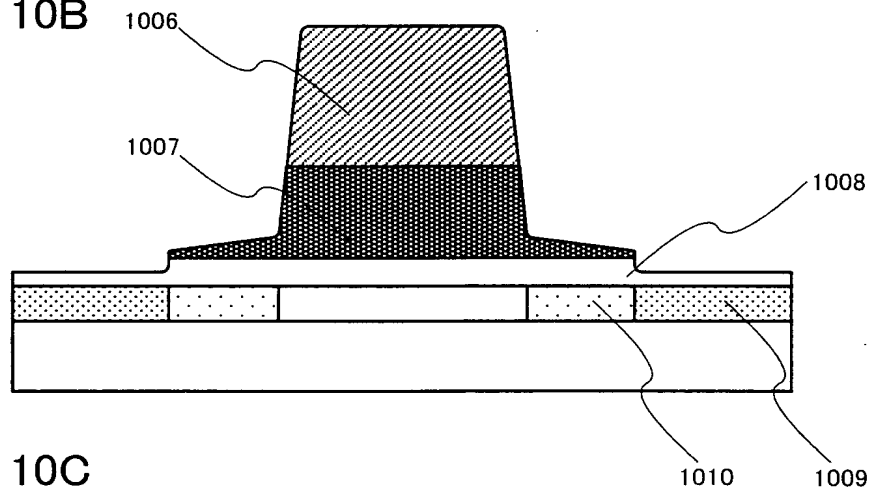


Fig. 10C

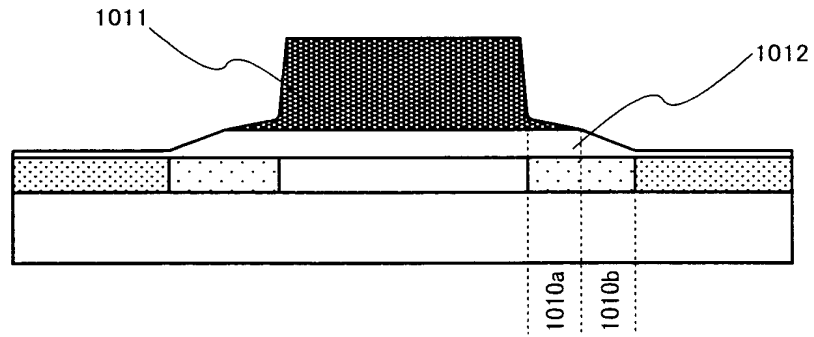


FIG. 10A

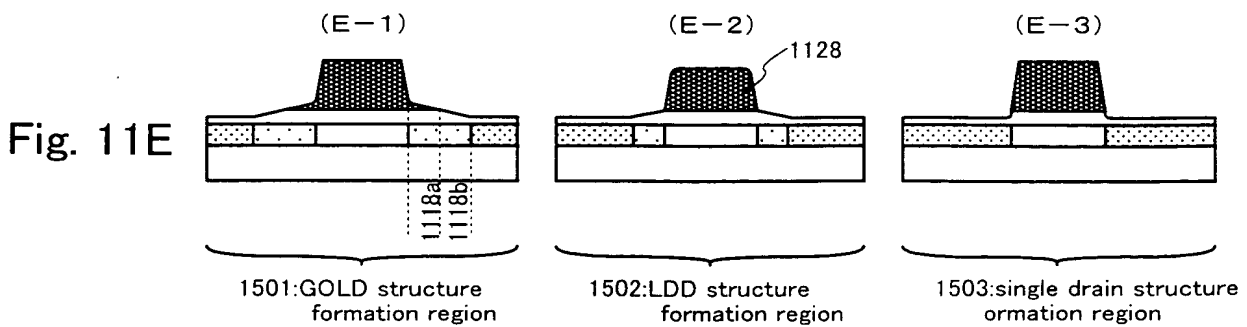
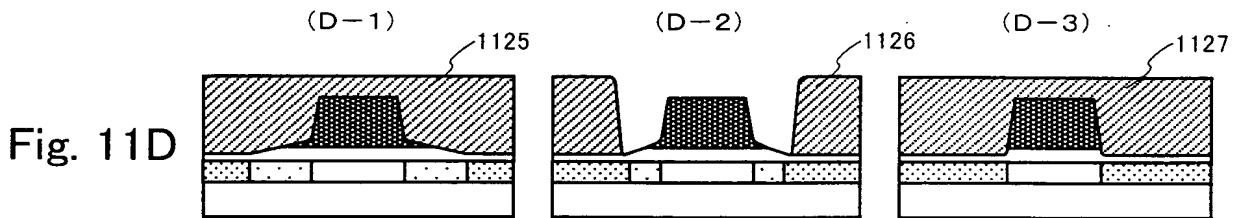
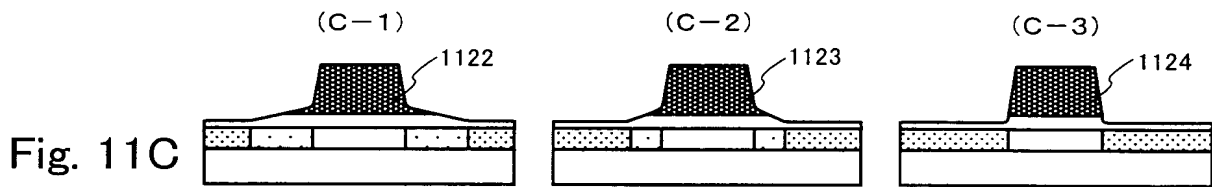
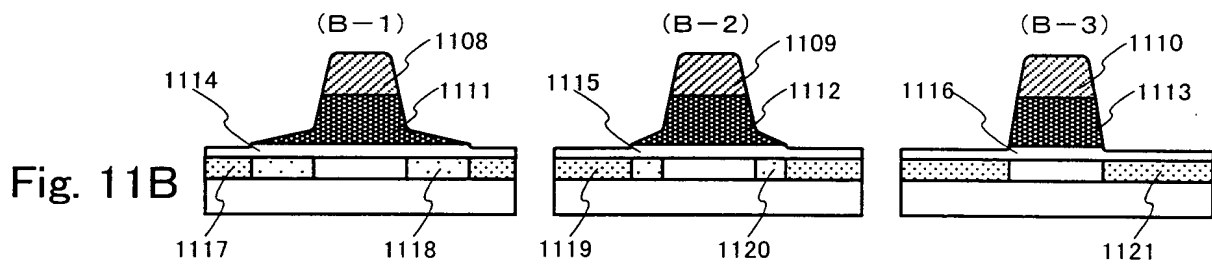
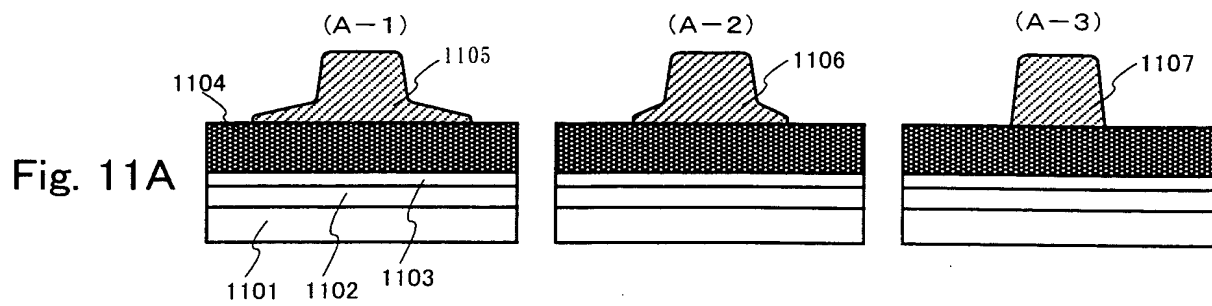


Fig. 12A

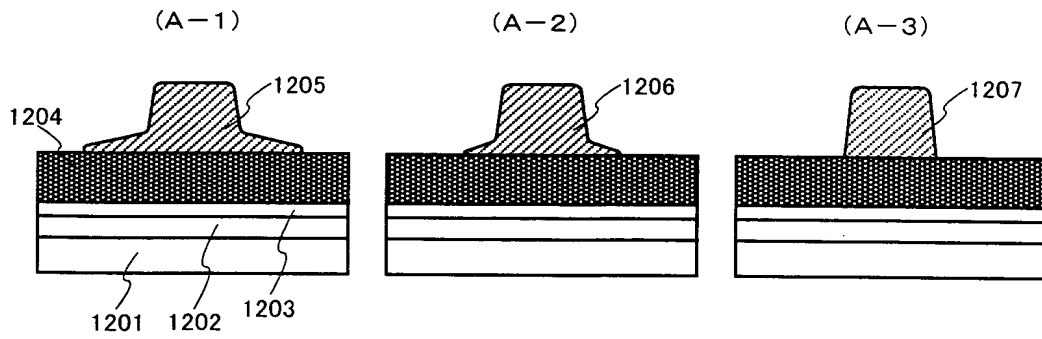


Fig. 12B

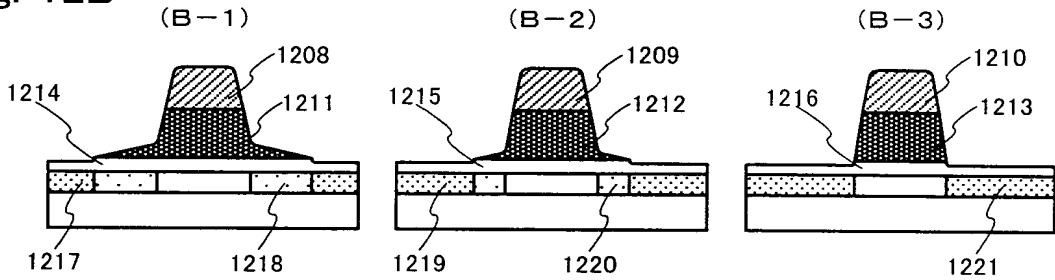


Fig. 12C

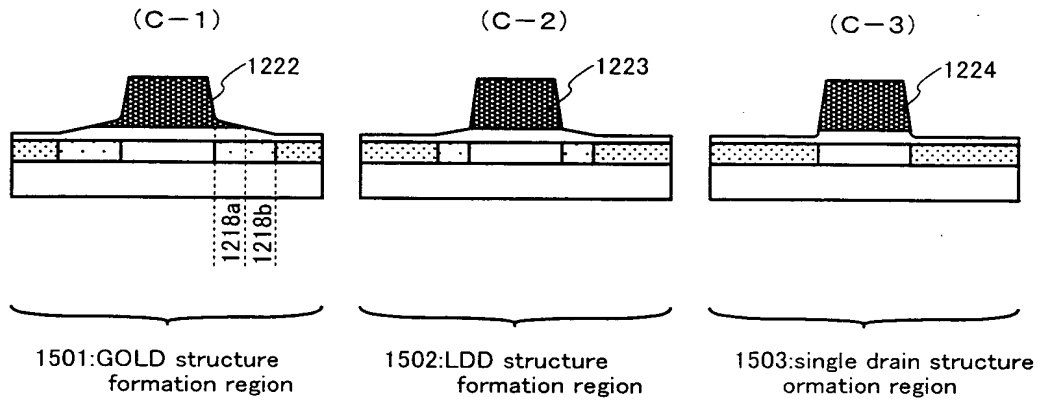


Fig. 13A

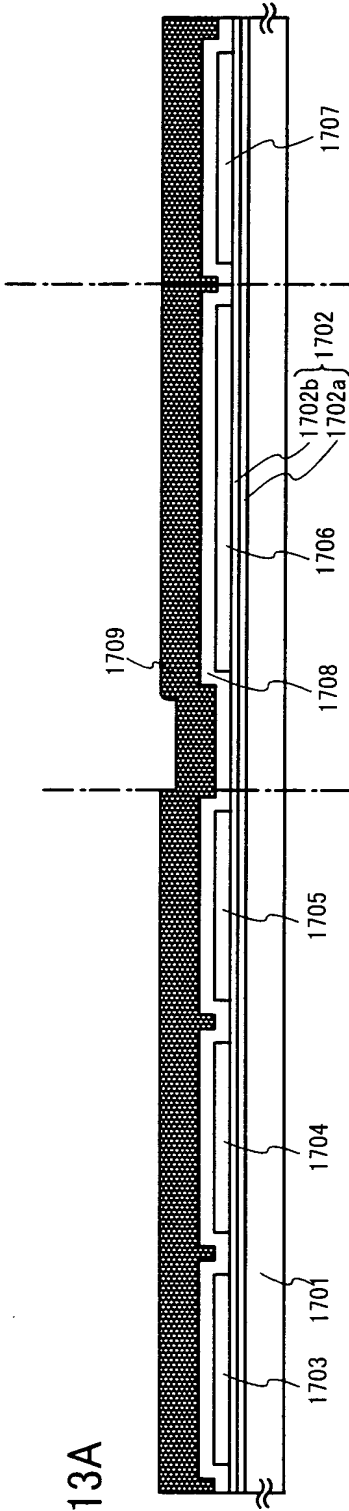


Fig. 13B

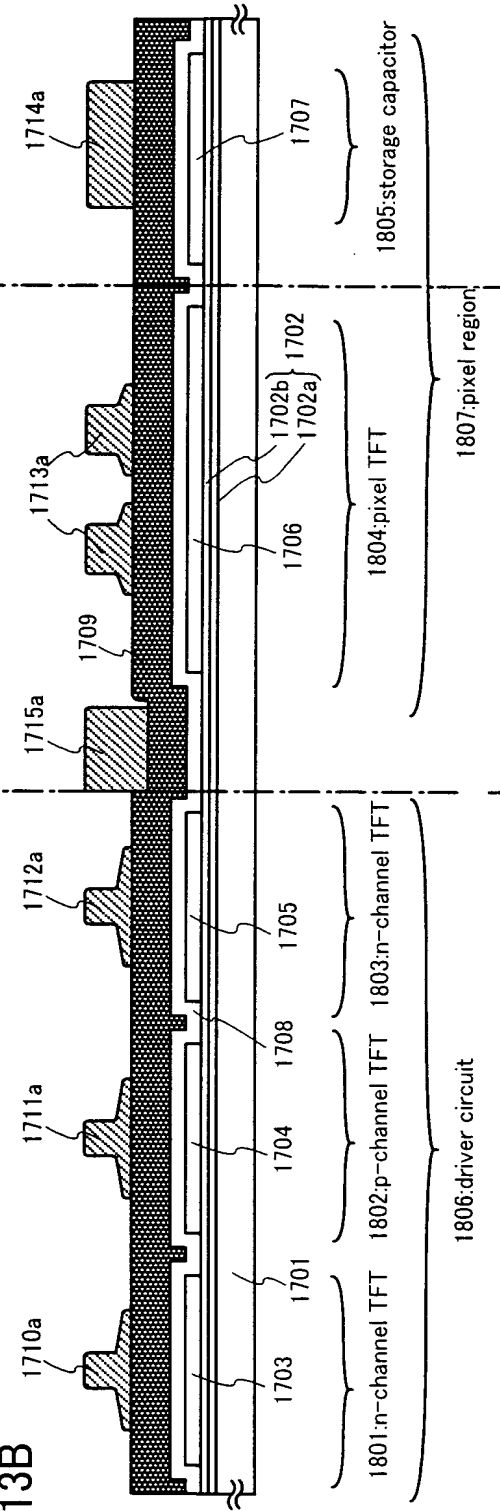


Fig. 14A

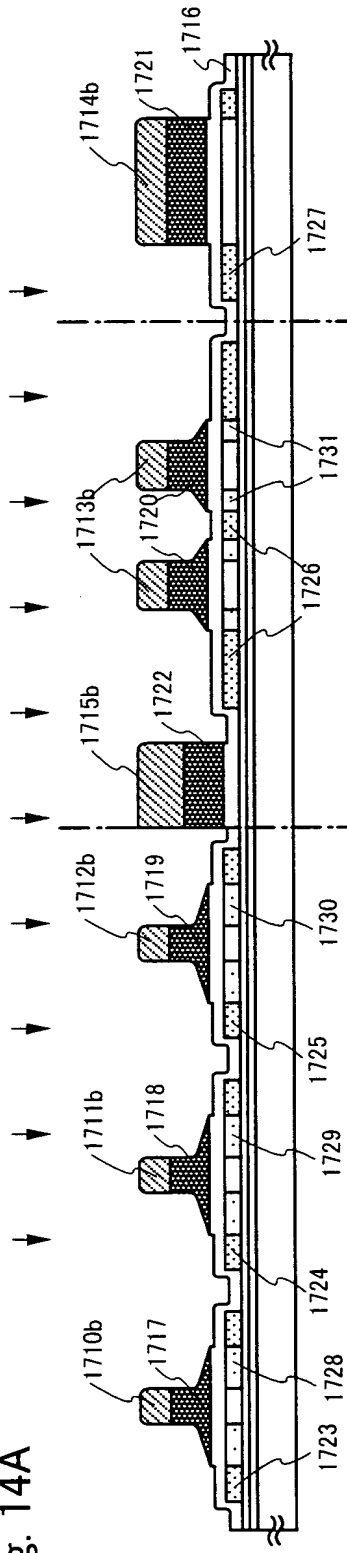
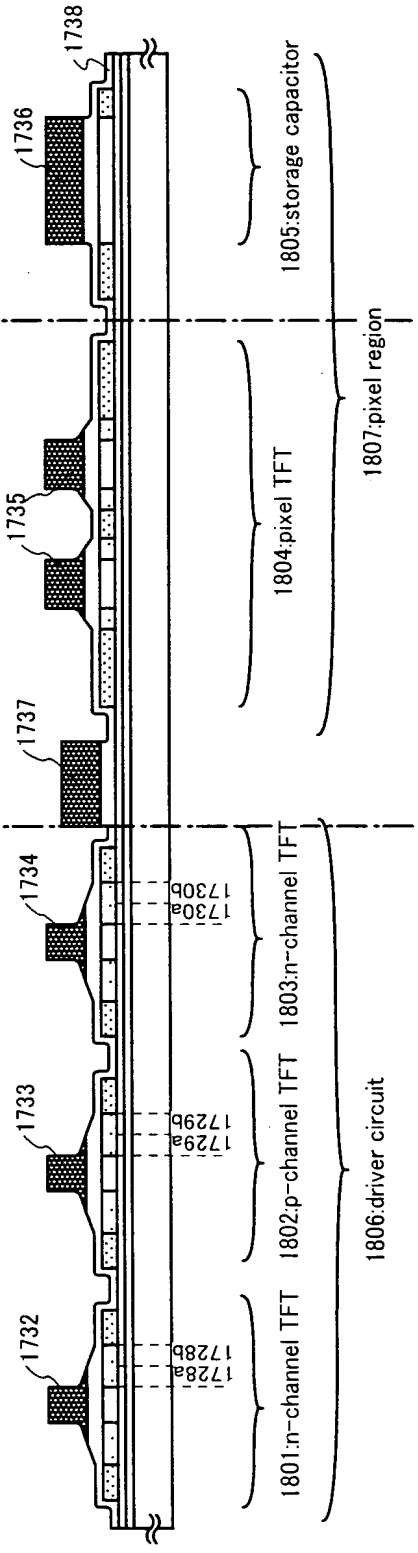


Fig. 14B



U.S. Pat. No. 6,471,184 B2

Fig. 15A

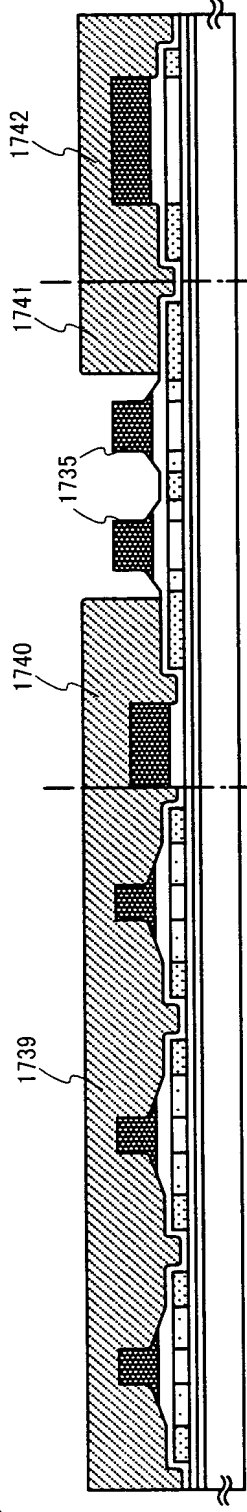


Fig. 15B

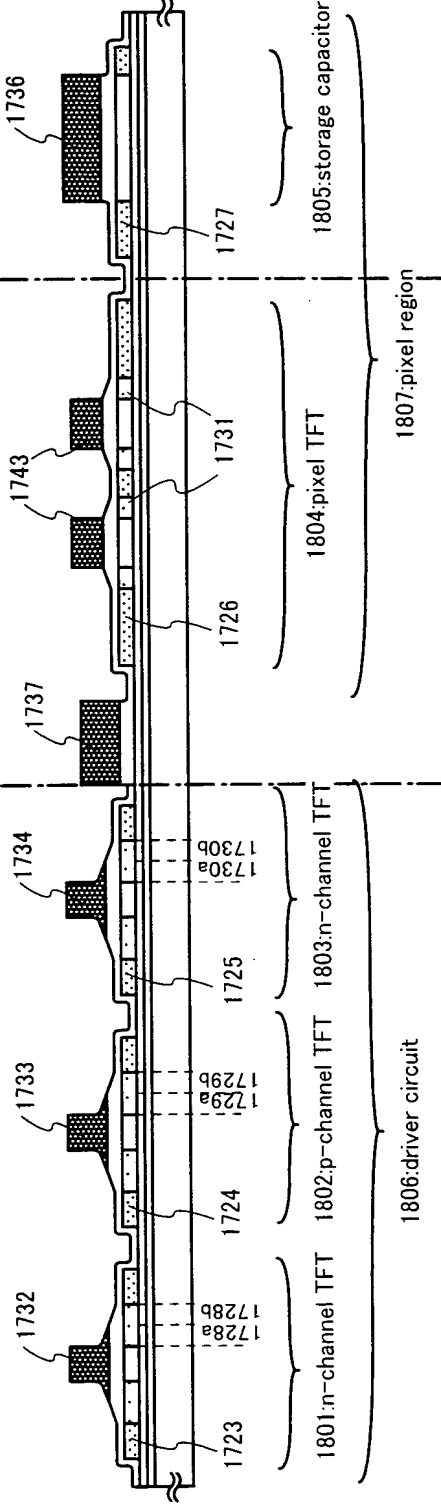


Fig. 16A

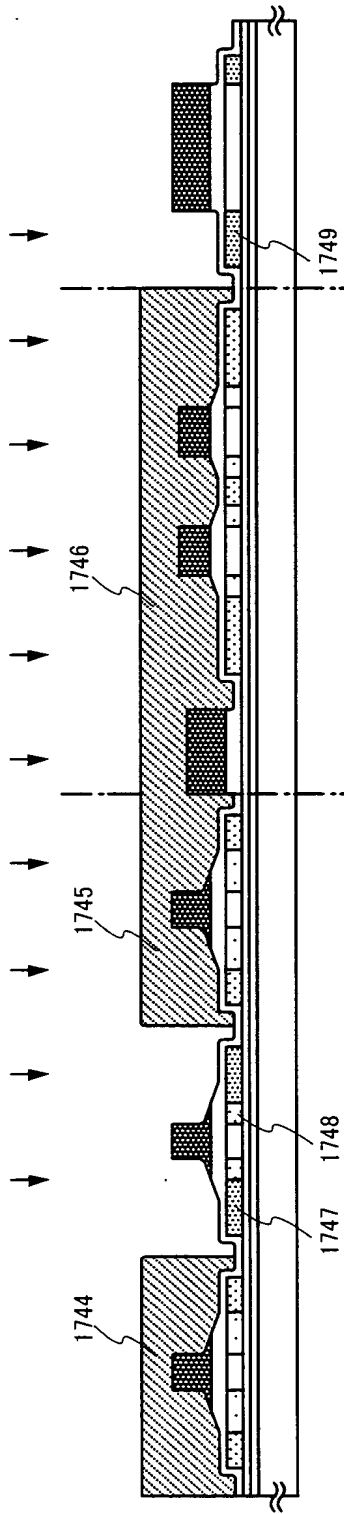


Fig. 16B

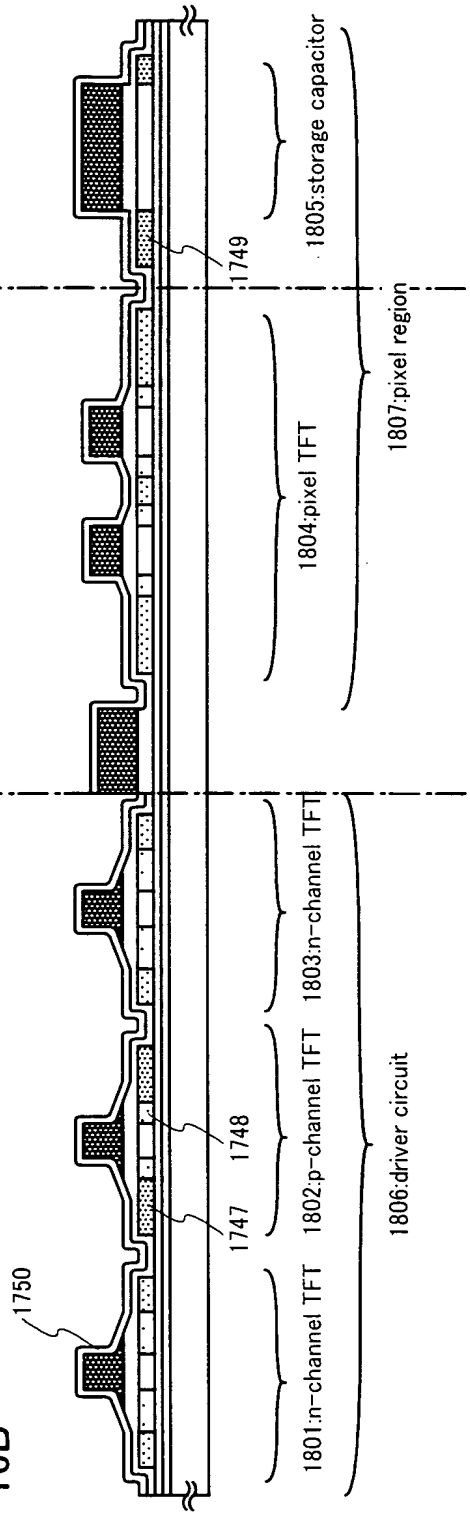




Fig. 17A

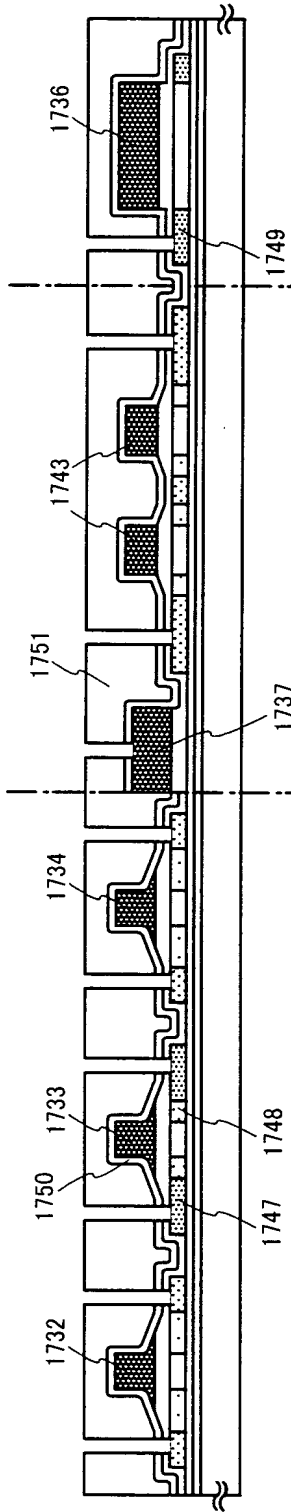
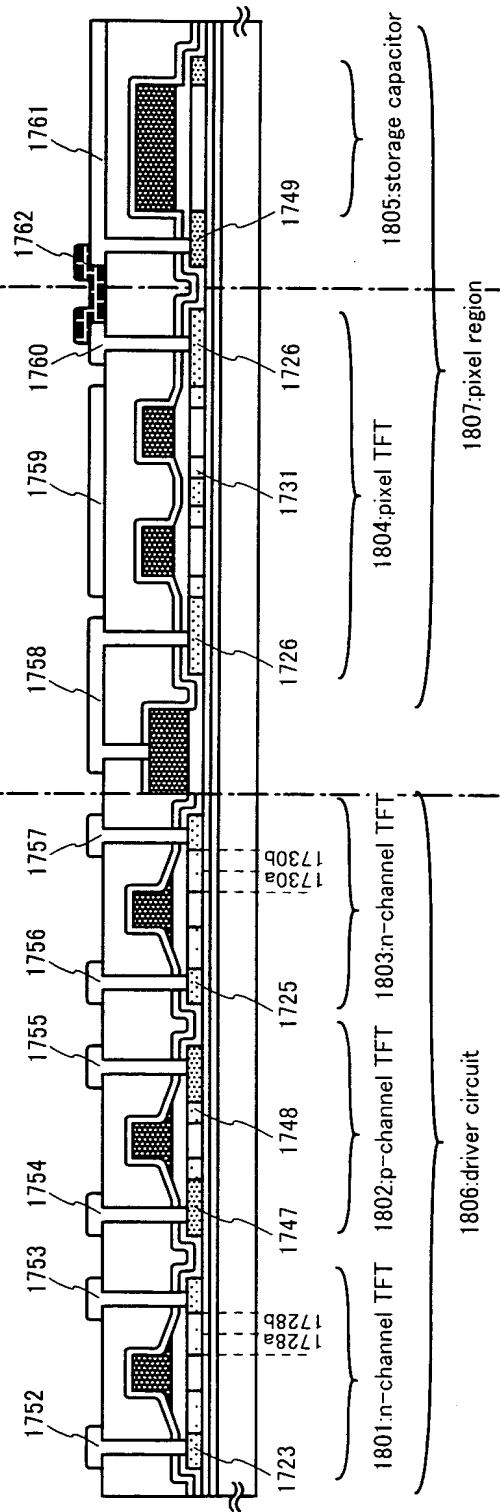


Fig. 17B



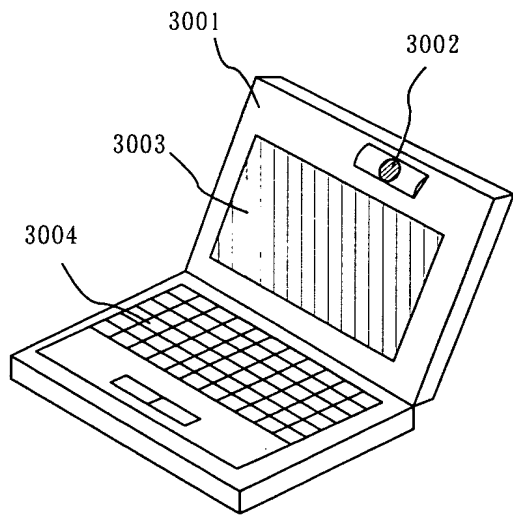


Fig. 18A

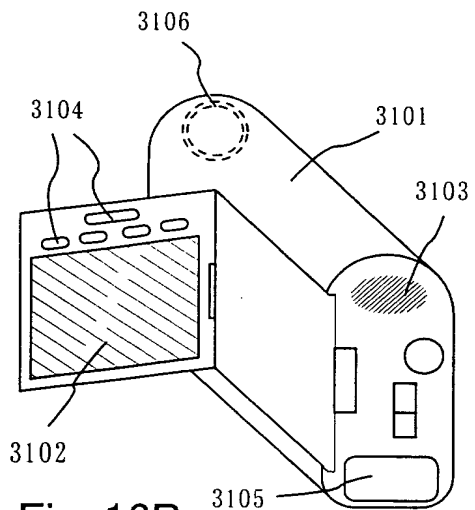


Fig. 18B

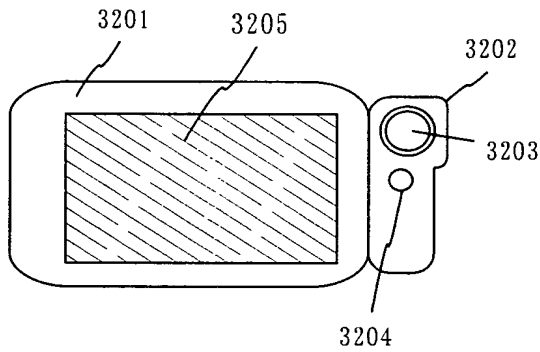


Fig. 18C

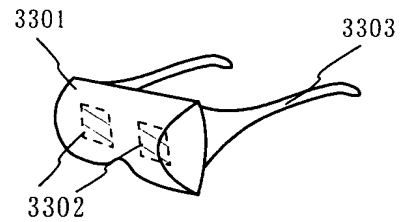


Fig. 18D

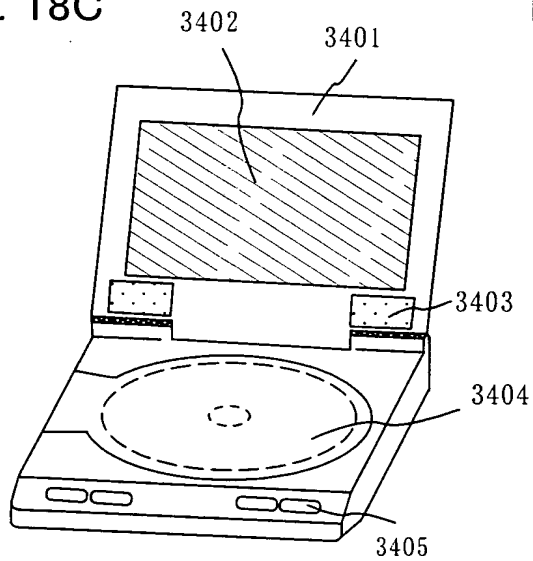


Fig. 18E

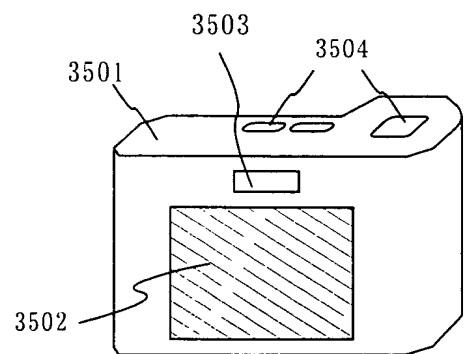


Fig. 18F

"TOP SECRET"

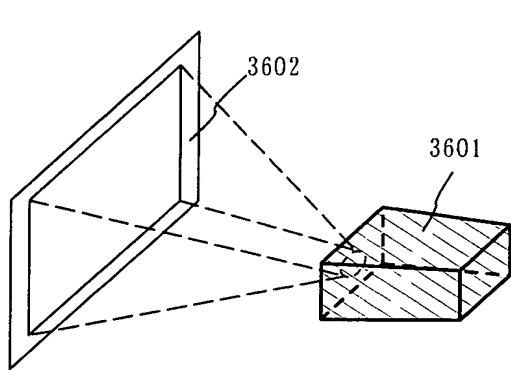


Fig. 19A

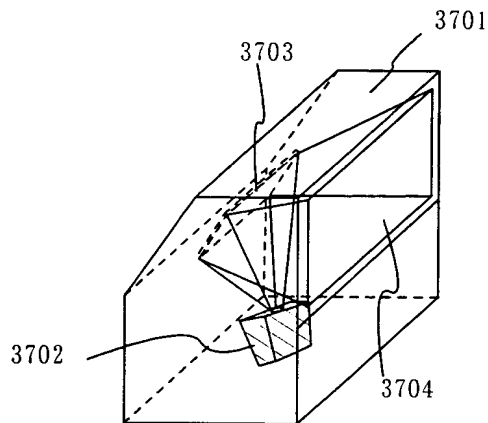


Fig. 19B

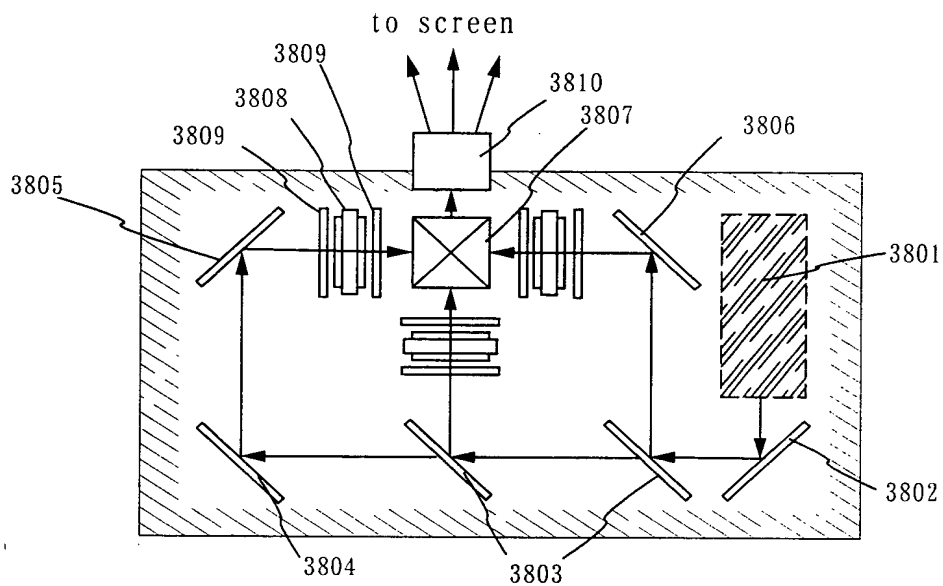


Fig. 19C

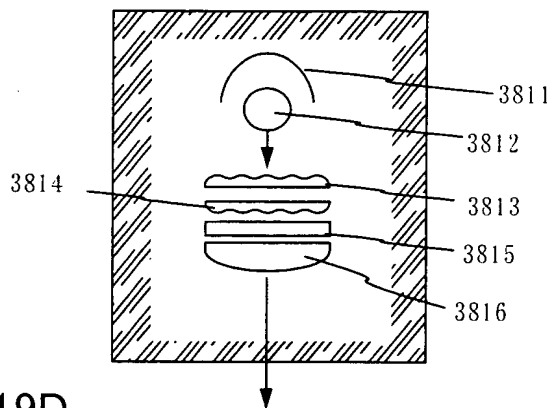


Fig. 19D

"TOP SECRET"

Fig. 20A

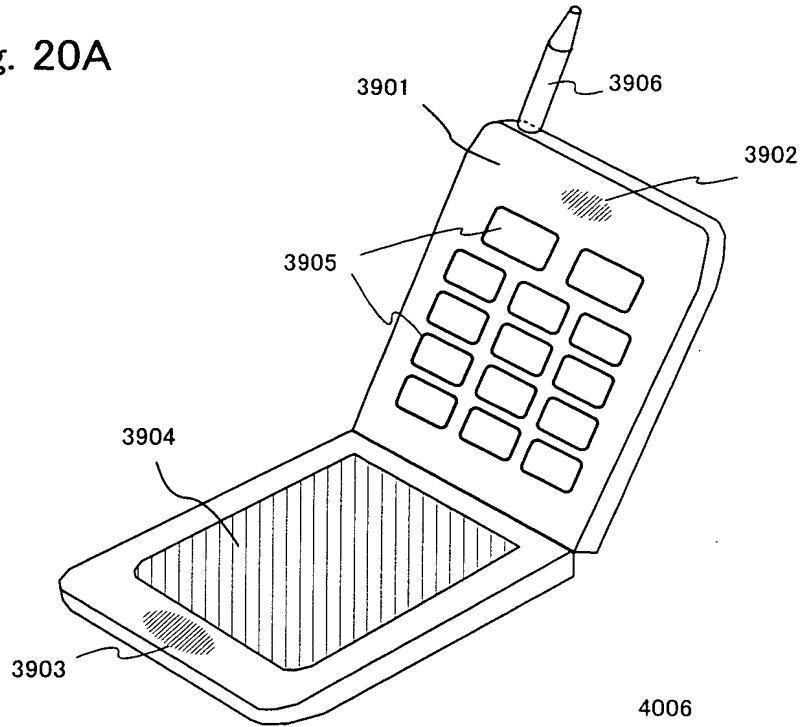


Fig. 20B

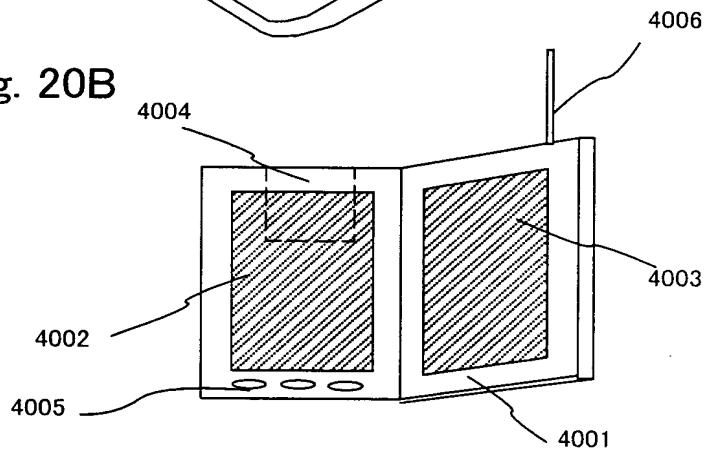


Fig. 20C

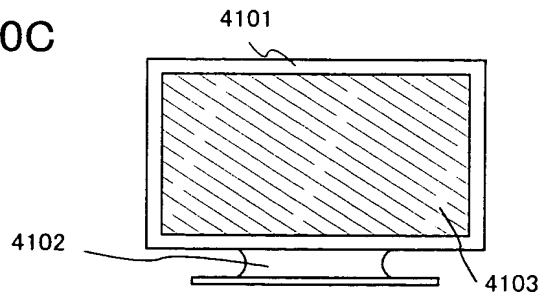


FIG. 20A

Fig. 21A

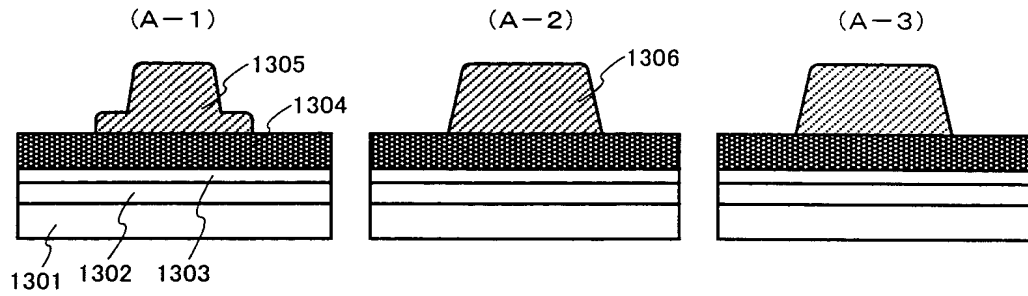


Fig. 21B

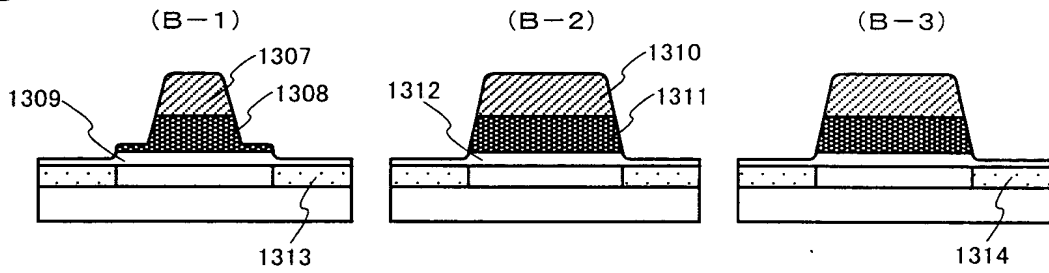


Fig. 21C

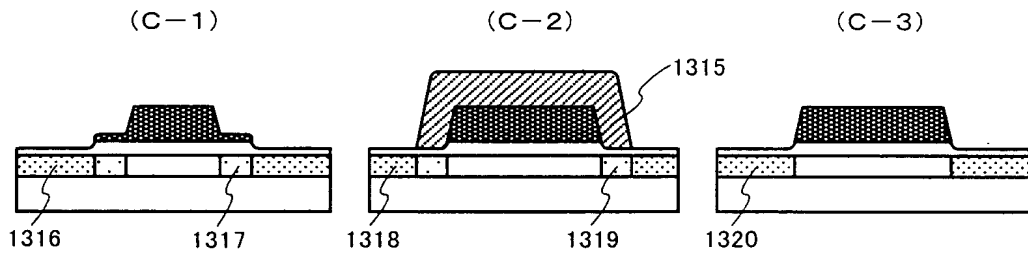
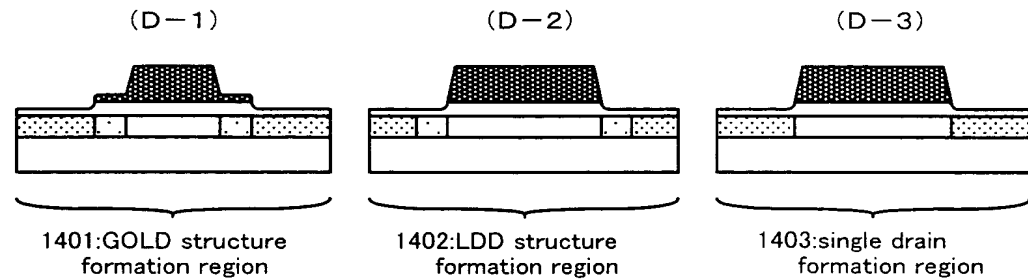


Fig. 21D



FOOTER